

DASH STAT Centrifuges

Apex 6, Apex 12, Flex 12, Apex 24 & Coag

DASH are easy to use high g-force centrifuges that are pre-programmed to provide STAT processing of gel or non-gel tubes to meet the needs of the most demanding lean laboratories.

3 preset levels up to 4000g for 3, 5 or 7 minutes ideal for some manufacturers specialist blood tubes

Features

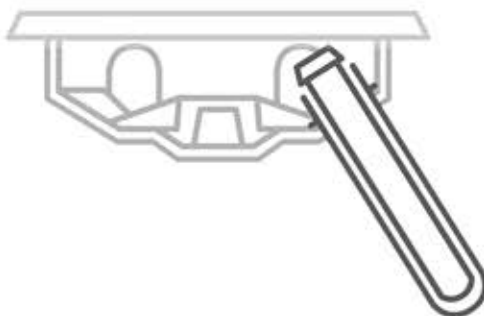
- Rapid horizontal separation
- Clear shatterproof lid for easy monitoring
- No routine maintenance
- Lid safety interlock system
- 2 Stage horizontal rotor
- Brushless DC Motor
- Cool operation

Reduce Laboratory Turnaround Time

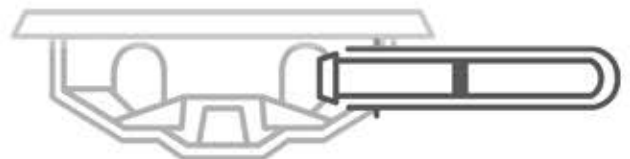


2 Stage Horizontal Rotor

Loading Angle



Rotation Angle



Visit www.woodleylabdiagnostics.com for full product range

DASH STAT Centrifuges

Apex 6, Apex 12, Flex 12, Apex 24 & Coag

Specifications

	Apex 6	Apex 12	Flex 12	Apex 24	Coag
Capacity	6 tubes up to 17mm x 75-100mm	12 tubes up to 17mm x 75-100mm	12 tubes up to 75-100mm	24 tubes up to 17mm x 75-100mm	12 tubes up to 75mm
Height	20cm	23cm	23cm	23cm	20cm
Width	28cm	32cm	32cm	37cm	28cm
Depth	34cm	38cm	38cm	43cm	34cm
Weight	5.4kg	13.7kg	13.7kg	17kg	5.4kg
Max. Acceleration Time	20 seconds	35 seconds	35 seconds	45 seconds	30 seconds
Max. Deceleration Time	20 seconds	40 seconds	40 seconds	40 seconds	30 seconds
Frequency	50/60Hz	50/60Hz	50/60Hz	50/60Hz	50/60Hz
Max. Speed	5300 RPM	5200 RPM	5200 RPM	4200 RPM	6600 RPM
Max. Force	4000 xg	4000 xg	4000 xg	3000 xg	4400 xg
Cycle Time	1-30 minutes (+/-1%)	1-30 minutes (+/-1%)	1-30 minutes (+/-1%)	1-30 minutes (+/-1%)	1-30 minutes (+/-1%)
Voltage	95 – 253 VAC	95 – 253 VAC	95 – 253 VAC	95 – 253 VAC	95 – 253 VAC

SAFETY GUARANTEE

Automatic Lid Lock

Centrifuge will not run with the lid open, and the lid cannot be opened while samples are spinning

Positive Lid Latching

Firm mechanical latching of the lid prevents the escape of debris in case of tube breakage

Clear Shatterproof Lid

Safe observation and access for tachometer, made from a high strength polycarbonate

Regulatory Approvals

Certified to European, US and Canadian Safety standards

Reinforced Guard Bowl

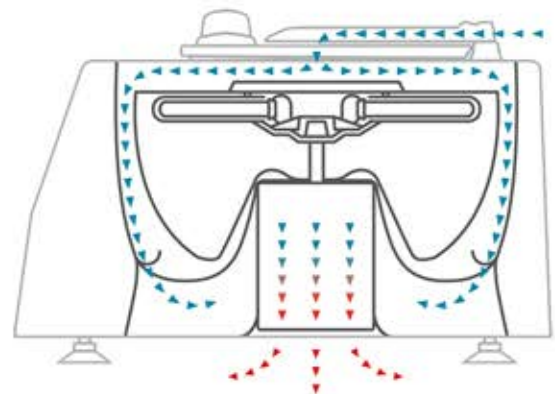
Advanced engineering composite resins provide maximum safety and durability

APPLICATIONS

- STAT Specimen Processing
- Chemistry
- Coagulation
- General Purpose
- Veterinary Practices

Cool Operation

Unique design of the motor housing and rotation chamber allows for cool operation even under the heaviest workloads.



2 Year Warranty

Visit www.woodleylabdiagnostics.com for full product range